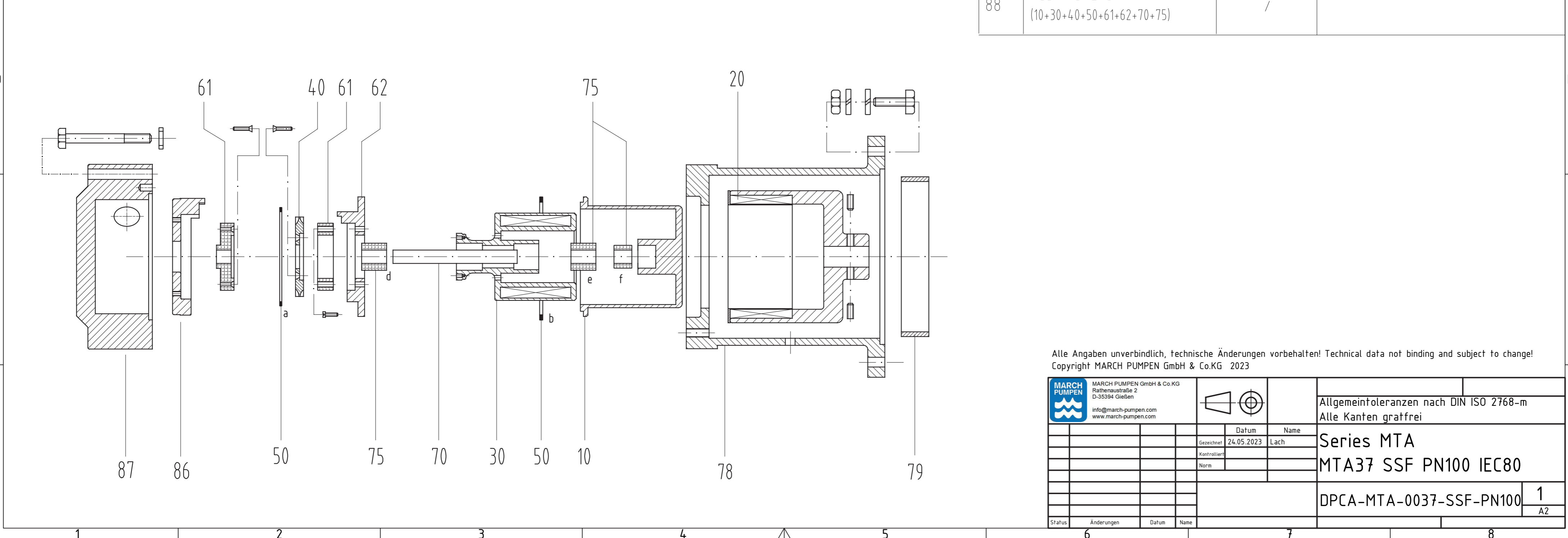


REF	DESCRIPTION	MATERIAL	CODE
10	Containment shell	Titanium Gr.5	
20	Ext. Magnet	CoSm/ Carbon Steel	
30	Int. Magnet	SS 316L/CoSm	
40	Impeller	SS 316	
50	Set O-Rings (a+b+c) a + b = O-Ring 4300 (234) c = O-Ring 4362 (239)	FEP	
61	Thrust Bearings	Pcarbon	
62	Rear Ring	SS316	
70	Shaft	SS316	
75	Sleeve Bearings Bearings (d+e) Bearing (f)	Pcarbon SS316	
78	Bracket (200-130-19)	Carbon Steel	
79	Rub Ring	Bronze	
86	Front Ring	SS 316	
87	Pump Casing	SS 316	
88	Rear Wet End (10+30+40+50+61+62+70+75)	/	



Alle Angaben unverbindlich, technische Änderungen vorbehalten! Technical data not binding and subject to change!
Copyright MARCH PUMPEN GmbH & Co.KG 2023

	MARCH PUMPEN GmbH & Co.KG Rätthausstraße 2 D-35394 Gießen info@march-pumpen.com www.march-pumpen.com		Allgemeintoleranzen nach DIN ISO 2768-m Alle Kanten gratfrei		
			Datum 24.05.2023	Name Lach	
Series MTA MTA37 SSF PN100 IEC80			DPCA-MTA-0037-SSF-PN100		
1 A2					
Status	Änderungen	Datum	Name		